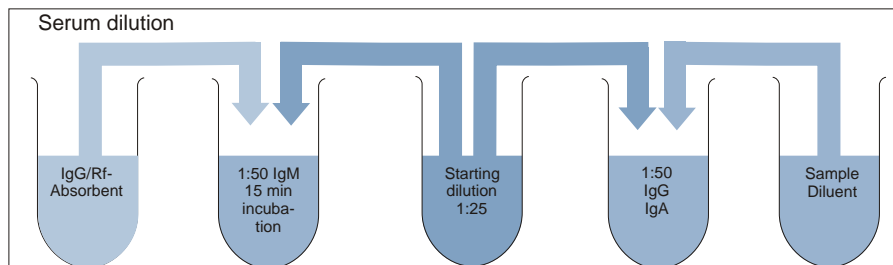
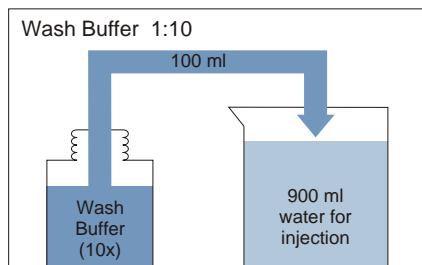
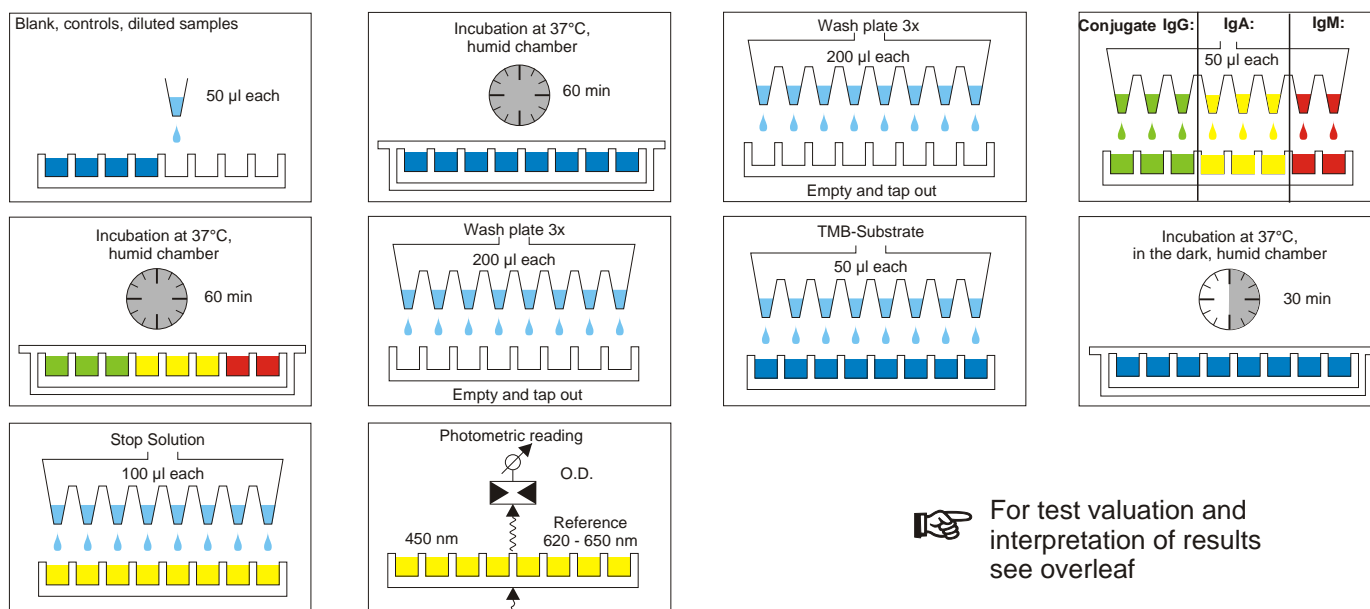


Preparation of the reagents:



Starting dilution 1:25 = 1 part serum + 24 parts Sample Diluent

Test run:



For test valuation and interpretation of results see overleaf

Test valuation:

- The photometric reading is performed at 450 nm as measuring wave length (620-650 nm as reference wave length).
- The OD of the blank (well A1) is subtracted from all OD values.
- The OD of the blank has to be < 0.100 .
- The mean OD of the **Negative Control** has to be < 0.100 .
- The OD of the **Positive Control** has to be > 0.800 .
- **Cut-off = Mean OD of the Negative Control + 0.380 for IgG,
+ 0.390 for IgA,
+ 0.380 for IgM.**
- **Grey zone = Cut-off \pm 10%.**

Interpretation of the results:

- Samples with OD values below the grey zone are judged **NEGATIVE**.
- Samples with OD values within the grey zone are judged **BORDERLINE**.
- Values within the grey zone should be controlled for titer movements by testing second serum samples after 14 days in parallel with the initial serum samples.
- Samples with OD values beyond the grey zone are judged **POSITIVE**.
- The test results should always be interpreted in connection with the clinical picture of the patients and further diagnostic parameters.

Note:

All results can also be reported as cut-off index. Please take corresponding information out of the package insert.